



Submittal Data Sheet

1.0-Ton DC-Ducted Concealed Ceiling Unit

FXMQ12PBVJU

FEATURES

- Increased capacity range for increased flexibility
- Improved efficiency with DC fan motor
- Ease of installation with auto adjusting airflow at commissioning based on external static pressure
- Easy maintenance with service access from below
- Installation flexibility with a low profile, compact design at less than 12" in height
- Integral condensate pump with up to 18-3/8" lift
- Standard Limited Warranty: 10-year warranty on compressor and all parts

BENEFITS

- Enhanced indoor air quality and LEED ready with MERV 13 filter options
- Flexible ductwork design with ESP capabilities up to 0.40" W.G.
- New economizer control logic
- New configurable auxiliary heater control logic
- Design allows it to be completely concealed - perfect for retail, classrooms, offices, banks, restaurants, and hotels.





Submittal Data Sheet

1.0-Ton DC-Ducted Concealed Ceiling Unit

FXMQ12PBVJU

PERFORMANCE

Indoor Unit Model No.	FXMQ12PBVJU	Indoor Unit Name:	1.0-Ton DC-Ducted Concealed Ceiling Unit
Type:	Ducted	Rated Cooling Conditions:	Indoor (°F DB/WB): 80 / 67 Ambient (°F DB/WB): 95 / 75
Rated Cooling Capacity (Btu/hr):	12,000	Rated Heating Conditions:	Indoor (°F DB/WB): 70 / 60 Ambient (°F DB/WB): 47 / 43
Sensible Capacity (Btu/hr):	9,700	Rated Piping Length(ft):	
Cooling Input Power (kW):	0.190	Rated Height Separation (ft):	
Rated Heating Capacity (Btu/hr):	13,500		
Heating Input Power (kW):	0.18		

INDOOR UNIT DETAILS

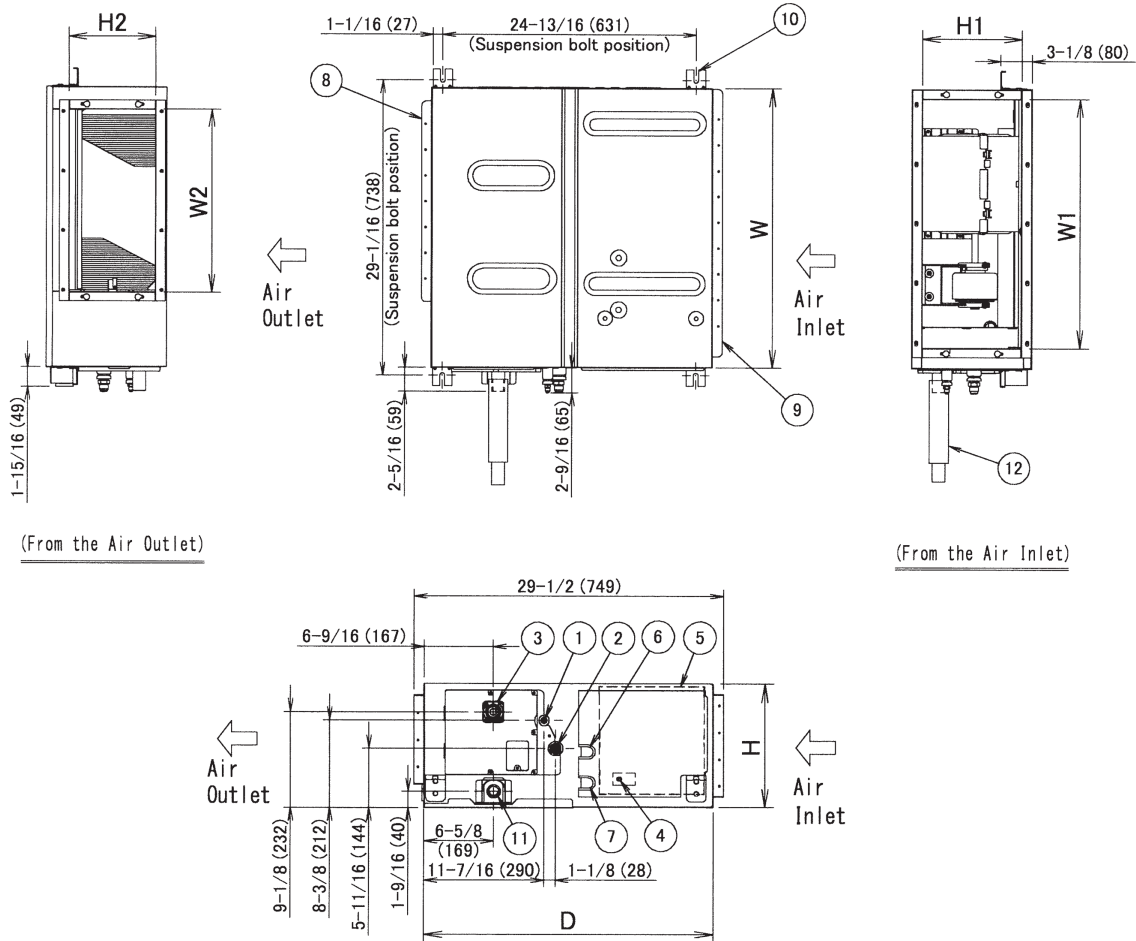
Power Supply (V/Hz/Ph):	208-230 / 60 / 1	Airflow Rate (HH/H/L) (CFM):	450/410/388
Power Supply Connections:	L1, L2, Ground	Moisture Removal (Gal/hr):	
Min. Circuit Amps MCA (A):	1.4	Gas Pipe Connection (inch):	1/2
Max Overcurrent Protection (MOP) (A):	15	Liquid Pipe Connection (inch):	1/4
Dimensions (HxWxD) (in):	11-13/16 x 27-9/16 x 27-9/16	Condensate Connection (inch):	1-1/4
Net Weight (lb):	62	Sound Pressure (H/L) (dBA):	37/35
Ext. Static Pressure (Rated/Max) (inWg):	0.2" / 0.4"	Sound Power Level (dBA):	65

Submittal Data Sheet

1.0-Ton DC-Ducted Concealed Ceiling Unit

FXMQ12PBVJU

DIMENSIONAL DRAWING



12	Drain hose (Accessory)	O. D. ϕ 1-1/4 (ϕ 32) (Outlet)
11	Socket (For maintenance)	VP25 (O. D. ϕ 1-1/4 (ϕ 32), I. D. ϕ 1 (ϕ 25))
10	Hanger	For M10
9	Air Inlet flange	
8	Air Outlet flange	
7	Power supply connection	
6	Transmission wiring connection	
5	Control box (Inside)	
4	Ground terminal (Terminal in Control box)	M4
3	Drain pipe connection	VP25 (O. D. ϕ 1-1/4 (ϕ 32), I. D. ϕ 1 (ϕ 25))
2	Gas pipe connection	ϕ 1/2 (ϕ 12.7) flare connection
1	Liquid pipe connection	ϕ 1/4 (ϕ 6.4) flare connection
ITEM	PART NAME	REMARK

H	11-13/16 (300)
W	27-9/16 (700)
D	27-9/16 (700)
Air Inlet	H1 9-3/4 (247)
	W1 24-5/8 (625)
Air Outlet	H2 8-7/16 (215)
	W2 18-1/8 (460)

Note: For additional dimensional data and clearance information, refer to Engineering Data